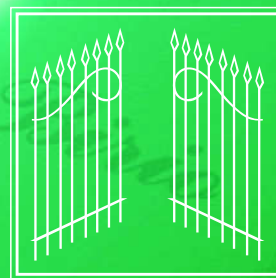


BIRIO 868

- Self-learning Rolling-code technology
- Transmitter and radio receiver customized key-code
- Device for customized key encoding



FADINI[®]
the gate opener

BIRIO 868

Self-learning, "Rolling-code" radio remote control with 868.35 MHz frequency



2 buttons
Birio 868 transmitter



4 buttons
Birio 868 transmitter

Birio 868 is a new radio transmitter using a 868.35 MHz frequency and a self-learning rolling code technology that modifies the transmitting code into different combinations, for more security, and to avoid any key-code cloning. Birio 868 transmitter is available in the 2 or 4 button version, to operate up to 4 channels.

Birio 868 radio receiver is available in two options:

- the plug-in version, to be fitted into the control panel, 2 transmitting channels (the 2nd relay allows NO or NC contacts) plus an auxiliary contact to connect the aerial.
- the external version, to be fitted into its compact casing, which is very functional for the electrical connections: up to 4 channels can be used, with NO and NC contacts, plus an auxiliary contact to connect the aerial.

The 2/4 button transmitter, has a practical and elegant shock resistant casing, and thanks to its eyelet, it can be hooked to a key-ring. A special finish allows the buttons to be easily identified to the touch

and a red led will light every time the buttons are pressed, as a confirmation for Birio 868 operations and as an indication that batteries are low.

With Birio it is very easy to carry out any encoding, copying and deleting operation and to know, at once, the receiver free

memory space; to delete on the spot, if necessary any present code or to transfer memory data to another receiver, just by plugging the same memory on it... without data loss.



RADIO REMOTE CONTROL



Birio LC device without the program for PC



PC program for transmitter and receiver memories

Moreover Birio 868 offers the possibility of customizing your radio transmitter and receiver by entering up to 2 key-codes by means of Birio LC device (key reading device).

The "keys" are alphanumerical secret codes consisting of 2^{16} figures, which are encoded by Birio LC encoding device. Transmitter copying, deleting and substituting operations, and memory copying, can only be carried out by the same device that encoded the last key. There are various families of Birio LC devices, and every family is composed of a master and a slave device.

Furthermore Birio LC device grants installers with an exclusive encoding system, as any further operation can be carried out onto transmitters in the same family, that is to say previously encoded by the same device.

The new Birio A8 aerial can be easily installed and adjusted to any flat surface.



Birio LC device



Birio external radio receiver casing



Birio 868 external radio receiver



Birio 868 plug-in radio receiver



Birio A8 rod aerial



Relay module



Birio Plug-in memory

BIRIO 868 RADIO REMOTE CONTROL

Technical specifications

RADIO RECEIVER

Working frequency	868.35 MHz
Sensitivity (to working pulse)	> 1 μ V
Signal range	120 metres
AC power supply	24 Vac (+/-10%)
DC power supply	12 Vcc (+20% -5%)
Working absorption	28 mA (1° channel active)
Stand-by absorption	14 mA
Codification	DIGITAL
Number of channels	2 (plug-in) and 4 (external)
Relay contact	N.O. (1° channel) - N.O. or N.C. (2° channel)
Relay contact rating	0.5 A - 125 Vca
Excitation time	200 mS (1 complete code)
Dropout time	300 mS (from the last valid code)
Working temperature	-10° C +55° C
Memory space	1'800 transmitters

TRANSMITTER

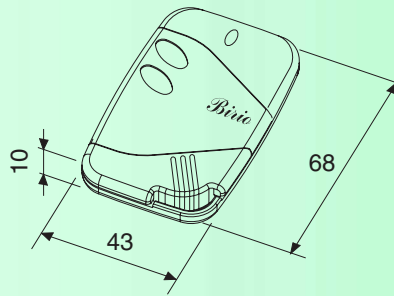
Working frequency	868.35 MHz
Frequency tolerance	+/- 75 KHz
Radiated power	100 μ W
Band width	>25 KHz
Apparent power of harmonic products	< -54 dBm (< 4 μ W)
Power supply	12 Vcc - 23 A (+20% -50%)
Average absorption	14 mA
Working temperature	-40° C +85° C
Number of channels	2
Transmission range	120 metres
Codification	DIGITAL (2 Encrypted) "Rolling-Code"

BIRIO LC DEVICE

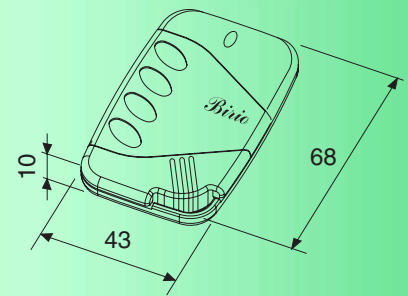
Maximum absorption	40 mA
Average absorption	25 mA
Autonomy	5 hours
Battery recharge time	6 hours
Power radiated from the device (as a transmitter)	80 μ W
Receiving sensitivity (to working pulse)	1 μ V
NiMH batteries (n° 8 rechargeable)	96 V 250 mA
Display	2 figures



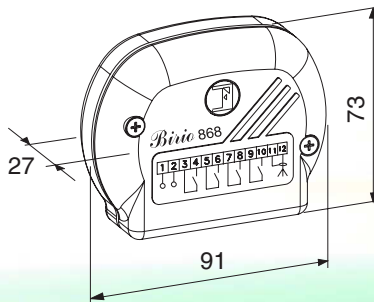
Dimensions



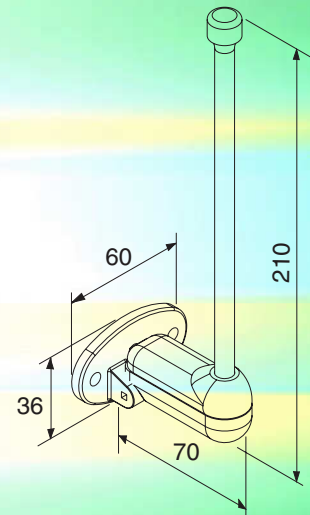
2 channel transmitter



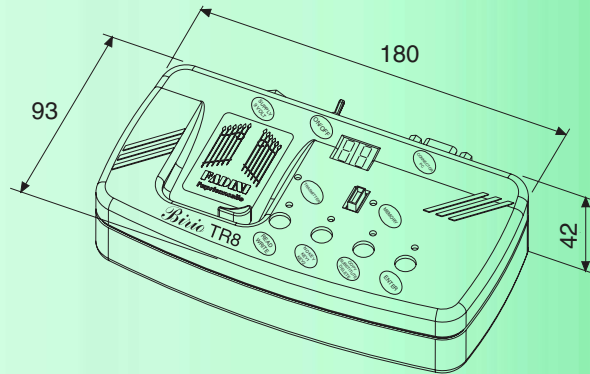
4 channel transmitter



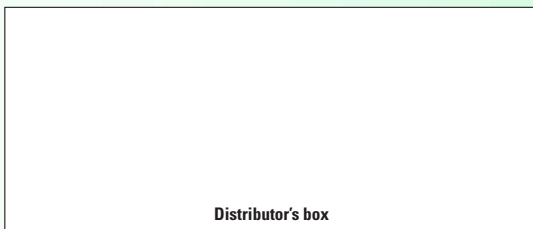
External radio receiver casing



Birio A8 aerial



Key-encoding device for radio transmitters and receiver



Distributor's box

The manufacturers reserve the right to change the products without any previous notice



EUROPEAN MARK CERTIFYING CONFORMITY TO THE ESSENTIAL REQUIREMENTS OF THE STANDARDS 98/37/EC

- DECLARATION OF CONFORMITY
- GENERAL WARNINGS
- EN 12453, EN 12445 STANDARDS
- CEI EN 60204-1 STANDARDS
- WARRANTY CERTIFICATE ON THE CUSTOMER'S REQUEST

The "CE" mark certifies that the operator conforms to the essential requirements of the European Directive art. 10 EEC 73/23, in relation to the manufacturer's declaration for the supplied items, in compliance with the body of the regulations ISO 9000=UNI EN 29000. Automation in conformity to EN 12453, EN 12445 safety standard. The growth of MECCANICA FADINI has always been based on the development of guaranteed products thanks to our "TOTAL QUALITY CONTROL" system which ensures constant quality standards, updated knowledge of the European Standards and compliance with their requirements, in view of an ever increasing process of improvement.



AUTOMATIC GATE MANUFACTURERS

Via Mantova, 177/A - 37053 Cerea (Verona) Italy - Tel. +39 0442 330422 r.a. - Fax +39 0442 331054 - e-mail: info@fadini.net - www.fadini.net